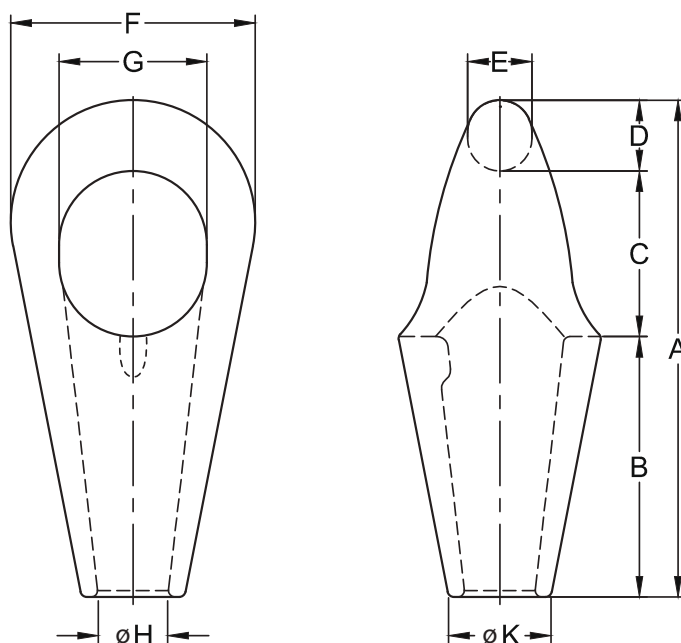




Anchor Pendant Sockets



Available for wire rope sizes from \varnothing 31 mm to \varnothing 128 mm
(1 1/4" to 5") with an efficiency rating of 100%.

The perfect socket for anchor lines.



Model Number	MBL (Mtons)	For Wire Rope Ø mm	Approx. Resin Volume (cc)	Dimensions (mm)									Weight (kg)
				A	B	C	D	E	F	G	ØH	ØK	
APS 512	130	31 - 36	350	270	141	88	40	36	140	82	41	60	7
APS 517	160	37 - 42	500	309	162	103	44	40	152	92	46	67	11
APS 519	200	43 - 48	700	369	193	123	53	48	176	110	53	74	16
APS 522	250	49 - 54	1250	408	210	140	58	52	200	125	58.5	83	22
APS 524	320	55 - 60	1425	452	230	157	65	58	226	140	68	96	31
APS 526	400	61 - 68	1850	499	250	174	75	66	250	156	76	107	42
APS 527	500	69 - 75	2300	551	280	191	80	70	275	171	80	115	54
APS 528	600	76 - 80	3400	591	309	196	86	76	290	180	89	125	70
APS 529	700	81 - 86	4100	643	332	211	100	90	304	188	94	133	85
APS 530	800	87 - 93	5200	685	360	220	105	95	332	210	99	142	118
APS 531	900	94 - 102	7700	722	375	235	112	101	366	220	110	157	142
APS 533	1000	108 - 115	10500	818	420	270	126	112	405	240	128	180	180
APS 540	1200	120 - 128	14000	920	490	290	140	126	450	276	140	200	320

Model Number	MBL (Mtons)	For Wire Rope Ø inch	Approx. Resin Volume (cc)	Dimensions (inch)									Weight (lbs)
				A	B	C	D	E	F	G	ØH	ØK	
APS 512	130	1 1/4 - 1 3/8	350	10.60	5.60	3.50	1.60	1.40	5.50	3.20	1.60	2.40	15
APS 517	160	1 1/2 - 1 5/8	500	12.16	6.38	4.00	1.73	1.57	6.00	3.62	1.80	2.64	24
APS 519	200	1 3/4 - 1 7/8	700	14.50	7.60	4.84	2.10	1.90	6.93	4.33	2.10	2.91	36
APS 522	250	2 - 2 1/8	1250	16.00	8.27	5.50	2.28	2.20	7.87	4.92	2.30	3.27	48
APS 524	320	2 1/4 - 2 3/8	1425	17.80	9.06	6.18	2.56	2.28	8.90	5.50	2.70	3.78	68
APS 526	400	2 1/2 - 2 5/8	1850	19.60	9.84	6.85	2.95	2.60	9.84	6.14	3.00	4.20	92
APS 527	500	2 3/4 - 2 7/8	2300	21.70	11.00	7.50	3.15	2.76	10.80	6.73	3.15	4.50	119
APS 528	600	3 - 3 1/8	3400	23.30	12.16	7.70	3.38	3.00	11.40	7.10	3.50	4.90	155
APS 529	700	3 1/4 - 3 3/8	4100	25.30	13.10	8.30	3.94	3.54	12.00	7.40	3.70	5.20	187
APS 530	800	3 1/2 - 3 5/8	5200	27.00	14.20	8.70	4.10	3.74	13.10	8.25	3.90	5.60	260
APS 531	900	3 3/4 - 4	7700	28.40	14.80	9.25	4.40	4.00	14.40	8.70	4.33	6.20	310
APS 533	1000	4 1/4 - 4 1/2	10500	32.20	16.50	10.60	5.00	4.40	16.00	9.50	5.00	7.10	400
APS 540	1200	4 3/4 - 5	14000	36.20	19.30	11.40	5.50	5.00	17.70	10.90	5.50	7.90	710

MBL = Minimum Breaking Load

All sockets are supplied in a hot dipped galvanized finish. APS 522 - APS 540 are also available in aqua-blue primer (RAL 5018).