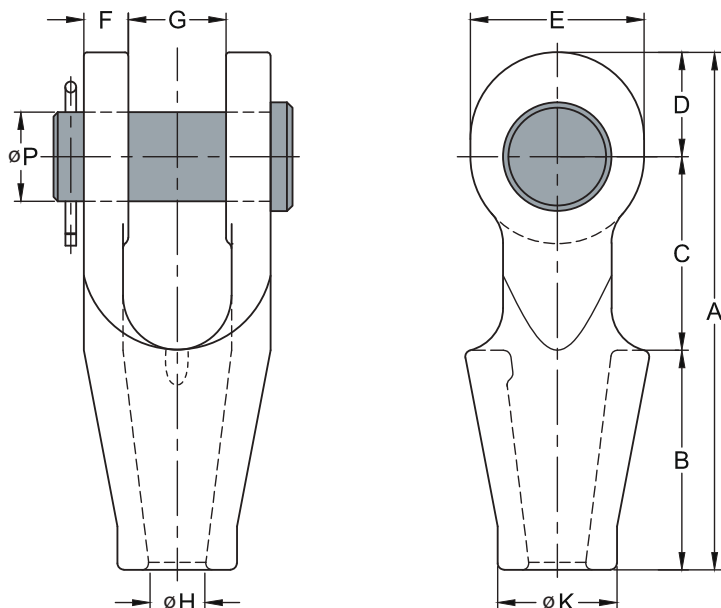




Open Spelter Sockets

with pin



Available for wire rope sizes from \varnothing 6 mm to \varnothing 128 mm (1/4" to 5") with an efficiency rating of 100%.

Standard version with pin and cotter pin. Also available with bolt, nut and cotter pin.



Model Number	MBL (Mtons)	For Wire Rope Ø mm	Structural Strand Ø mm	Approx. Resin Volume (cc)	Dimensions (mm)									Weight (kg)	
					A	B	C	D	E	F	G	ØH	ØK		ØP
OSS 196	8	6 - 7	-	10	105	46	40	19	34	9	18	10	20	17.5	0.4
OSS 197	12	8 - 10	-	20	122	54	45	23	40	11.2	20.6	13.5	26	20.6	0.8
OSS 198	20	11 - 13	-	35	142	64	51	27	48	12.7	25.6	15	30	25.4	1.1
OSS 199	25	14 - 16	12 - 13	50	171	76	63	32	56	14.5	32	18.5	38.5	30	1.9
OSS 100	40	18 - 19	14 - 16	80	205	89	76	40	68	16.5	38	22.5	46	35	3.2
OSS 104	55	20 - 22	18 - 19	125	238	101	89	48	80	20.5	45	26.8	55	41	5.3
OSS 108	80	23 - 26	20 - 22	160	273	114	101	58	98	22.5	51	29.5	62	51	8.4
OSS 111	100	27 - 30	24 - 26	210	306	127	114	65	110	25	57	34	70	57	11.3
OSS 115	130	31 - 36	27 - 28	350	338	139	127	72	124	28	63	40	83	63	16
OSS 118	160	37 - 39	30 - 32	425	394	152	162	80	140	30	76	44.5	90	70	23
OSS 120	200	40 - 42	33 - 35	500	415	165	165	85	148	33.5	76	48	97	76	29
OSS 125	250	43 - 48	36 - 40	700	467	191	178	98	170	39	89	53	112	89	43
OSS 128	300	49 - 54	42 - 45	1250	552	216	228	108	186	46	101	58.5	125	95	64
OSS 130	375	55 - 60	46 - 48	1425	603	229	254	120	210	53	113	68.5	135	108	85
OSS 132	450	61 - 68	50 - 54	1850	654	248	273	133	230	60	127	77.5	150	121	119
OSS 135	500	69 - 75	56 - 62	2300	696	279	279	138	240	73	133	83	160	127	158
OSS 138	600	76 - 80	64 - 67	3400	736	305	286	145	250	76	146	89	170	133	186
OSS 140	650	81 - 86	70 - 73	4100	790	330	300	160	275	79	159	95	180	140	227
OSS 142	750	87 - 93	76 - 80	5200	849	356	318	175	300	82	172	99	200	152	280
OSS 144	900	94 - 102	83 - 92	7700	922	381	343	198	336	89	191	110	215	178	375
OSS 146	1200	108 - 115	96 - 108	10500	1110	440	450	220	370	100	205	128	250	195	525
OSS 150	1400	120 - 128	112 - 121	14000	1185	490	440	255	430	113	225	143	270	220	680

AQUALLINE OPEN SPELTER SOCKET. INCH DIMENSIONS

Model Number	MBL (Mtons)	For Wire Rope Ø inch	Structural Strand Ø inch	Approx. Resin Volume (cc)	Dimensions (inch)									Weight (lbs)	
					A	B	C	D	E	F	G	ØH	ØK		ØP
OSS 196	8	1/4	-	10	4.13	1.81	1.60	0.75	1.34	0.35	0.71	0.39	0.78	0.69	0.9
OSS 197	12	5/16 - 3/8	-	20	4.80	2.16	1.80	0.90	1.57	0.44	0.81	0.53	1.02	0.81	1.8
OSS 198	20	7/16 - 1/2	-	35	5.60	2.52	2.00	1.10	1.89	0.50	1.00	0.60	1.18	1.00	2.4
OSS 199	25	9/16 - 5/8	1/2	50	6.70	3.00	2.50	1.30	2.20	0.57	1.26	0.73	1.52	1.19	4.2
OSS 100	40	3/4	9/16 - 5/8	80	8.10	3.50	3.00	1.60	2.76	0.65	1.50	0.89	1.81	1.38	7
OSS 104	55	7/8	11/16 - 3/4	125	9.40	4.00	3.50	1.90	3.15	0.81	1.75	1.05	2.17	1.63	11.7
OSS 108	80	1	13/16 - 7/8	160	10.70	4.50	4.00	2.30	4.00	0.89	2.00	1.16	2.44	2.00	18
OSS 111	100	1 1/8	15/16 - 1	210	12.00	5.00	4.50	2.60	4.33	1.00	2.25	1.39	2.76	2.25	25
OSS 115	130	1 1/4 - 1 3/8	1 1/16 - 1 1/8	350	13.30	5.50	5.00	2.80	4.80	1.10	2.50	1.57	3.27	2.50	35
OSS 118	160	1 1/2	1 3/16 - 1 1/4	425	15.50	6.00	6.40	3.15	5.52	1.18	3.00	1.75	3.50	2.75	51
OSS 120	200	1 5/8	1 5/16 - 1 3/8	500	16.30	6.50	6.50	3.35	5.90	1.30	3.00	1.90	3.80	3.00	64
OSS 125	250	1 3/4 - 1 7/8	1 7/16 - 1 5/8	700	18.40	7.50	7.00	3.86	6.70	1.53	3.50	2.10	4.40	3.50	95
OSS 128	300	2 - 2 1/8	1 11/16 - 1 3/4	1250	21.70	8.50	9.00	4.25	7.30	1.81	4.00	2.30	4.90	3.75	141
OSS 130	375	2 1/4 - 2 3/8	1 13/16 - 1 7/8	1425	23.70	9.00	10.00	4.72	8.27	2.10	4.50	2.70	5.30	4.25	190
OSS 132	450	2 1/2 - 2 5/8	1 15/16 - 2 1/8	1850	25.70	9.70	10.70	5.23	9.10	2.36	5.00	3.05	5.90	4.75	260
OSS 135	500	2 3/4 - 2 7/8	2 3/16 - 2 7/16	2300	27.40	11.00	11.00	5.43	9.45	2.90	5.25	3.25	6.30	5.00	348
OSS 138	600	3 - 3 1/8	2 1/2 - 2 5/8	3400	29.00	12.00	11.30	5.70	9.84	3.00	5.75	3.50	6.70	5.25	410
OSS 140	650	3 1/4 - 3 3/8	2 3/4 - 2 7/8	4100	31.10	13.00	11.80	6.30	10.83	3.12	6.25	3.75	7.10	5.50	500
OSS 142	750	3 1/2 - 3 5/8	3 - 3 1/8	5200	33.40	14.00	12.50	6.90	11.80	3.25	6.75	3.90	7.90	6.00	615
OSS 144	900	3 3/4 - 4	3 1/4 - 3 3/8	7700	36.30	15.00	13.50	7.80	13.20	3.50	7.50	4.33	8.50	7.00	825
OSS 146	1200	4 1/4 - 4 1/2	3 3/4 - 4 1/4	10500	43.70	17.30	17.70	8.70	14.60	4.00	8.10	5.00	9.80	7.70	1150
OSS 150	1400	4 3/4 - 5	4 7/16 - 4 3/4	14000	46.70	19.30	17.30	10.00	17.00	4.40	8.90	5.60	10.60	8.70	1500