



TSU / TSEU / STSU

Best selling lightweight heavy duty clamp for universal lifting

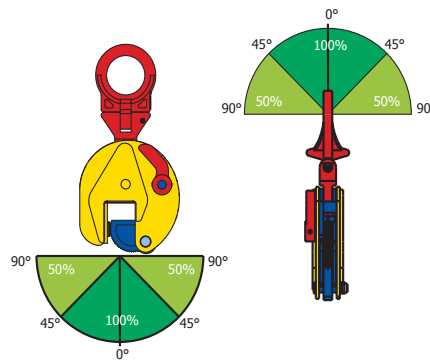
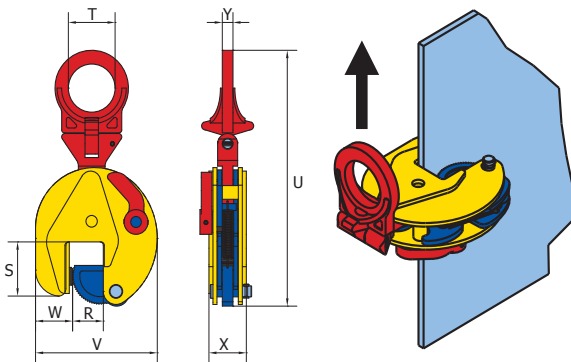
Application:

- For vertical lifting, transporting and turning of all steel plates and structures from all positions
- Jaw openings available from: 0 to 150 mm
- TSEU / STSU types are supplied with enlarged jaw opening
- Working load limit (WLL) 750 - 30000 kg (Higher WLL available upon request)
- Min. WLL is 10% of max. WLL

Note: The plate surface of the material must have a hardness level of max. HRC 37/345 Hb

Features and Benefits:

- With articulated lifting shackle for universal lifting flexibility at various angles
- The articulated lifting shackle guarantees a pressure grip in every position, even when side loading up to 90 degrees. Note a lower load capacity when lifting in an angle higher than 45 degrees. Please check the WLL reduction below
- Longer plates can be lifted without the use of a spreader beam when using two clamps on a two legged chain sling
- Always equipped with a safety mechanism, ensuring the clamp does not slip when lifting force is applied and when load is being lowered
- Clamp is locked in closed as well as open position
- Lightweight, maintenance-friendly, heavy duty body



* Remote control

Article Nr.	Type	Capacity (kg/pc)	Jaw opening (R) (mm)	Dimensions in mm							Weight (kg/pc)
				S	T	U	V	W	X	Y	
855000	0.75 TSU	750	0 - 13	47	30	203	100	37	37	10	1,8
865800	1 TSEU	1000	0 - 25	56	50	292	141	37	47	15	3,8
855601	2 TSEU *	2000	0 - 35	78	70	372	183	56	56	16	8
865331	3 TSEU *	3000	0 - 35	78	70	372	183	56	56	16	8
865441	4.5 TSU	4500	0 - 25	85	70	429	203	60	77	20	16
865301	4,5 TSEU	4500	0 - 45	85	70	431	228	60	78	20	16,5
865401	6 TSU	6000	0 - 32	114	78	528	225	78	78	32	22
865411	6 TSEU	6000	0 - 50	114	78	527	259	82	78	32	24
865601	7.5 TSU	7500	0 - 40	111	78	567	246	76	82	32	27
855400	7.5 TSEU	7500	0 - 55	111	78	560	267	70	86	32	28
855405	9 TSU	9000	0 - 55	111	78	560	267	70	86	32	29
865901	12 TSU	12000	0 - 52	148	85	648	295	100	94	48	41
955150	15 TSU	15000	0 - 76	209	85	816	373	136	106	48	73
955170	17 TSU	17000	0 - 76	209	85	816	373	136	106	48	74
955200	20 TSU	20000	0 - 80	250	100	948	563	153	140	71	160
955250	25 TSU	25000	5 - 85	250	100	948	563	148	140	71	160
955300	30 TSU	30000	10 - 90	250	100	944	568	153	142	71	167
856200	6 STSU	6000	40 - 90	114	78	523	275	70	78	32	24
856300	7.5 STSU	7500	50 - 100	111	78	560	312	70	86	32	30
855305	9 STSU	9000	50 - 100	111	78	560	312	70	86	32	31
856401	12 STSU	12000	50 - 100	152	85	644	344	100	94	48	45
966150	15 STSU	15000	80 - 150	224	85	808	450	136	106	48	78
966200	20 STSU	20000	80 - 150	249	100	940	640	153	140	71	171
966250	25 STSU	25000	80 - 150	249	100	940	640	153	140	71	171
966300	30 STSU	30000	80 - 150	249	100	946	645	156	142	71	176,5

* Available with a remote control