



TS-R / TSE-R / TSU-R / TSEU-R

Specially made for stainless steel lifting

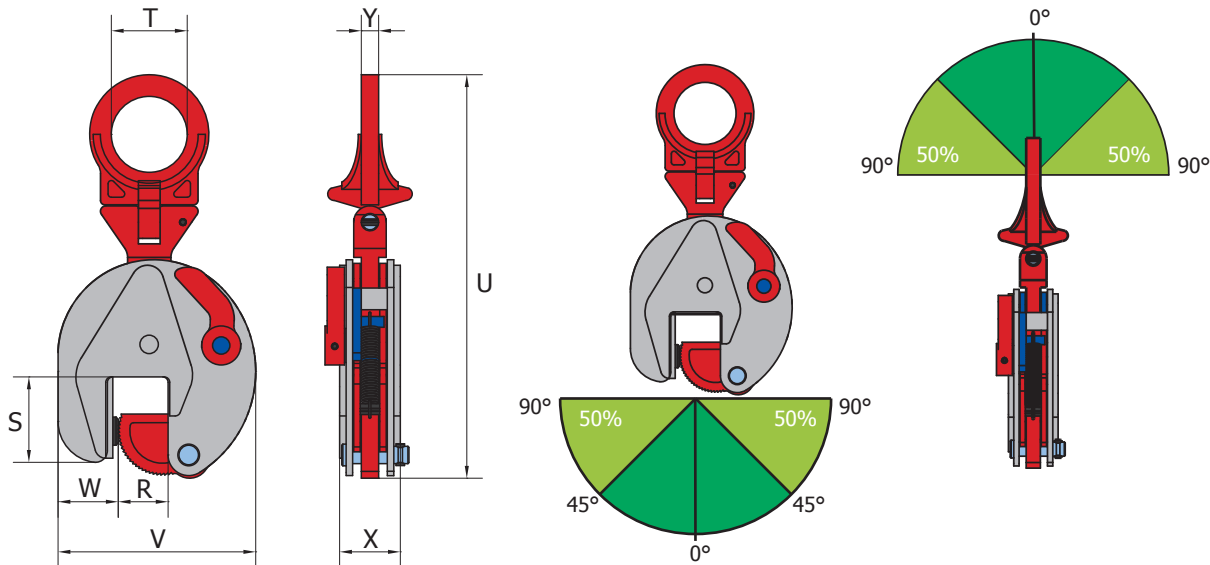
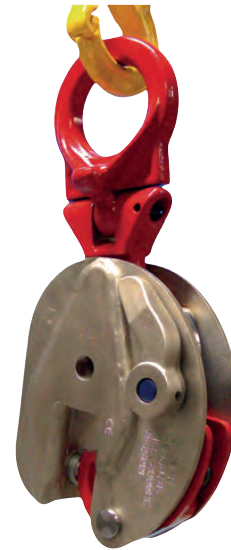
Application:

- For vertical lifting, transporting and turning of stainless steel plates and structures
- Jaw openings available from: 0 to 55 mm
- Working load limit (WLL) 750 - 7500 kg. Min. WLL is 10% of max. WLL

Note: The plate surface of the material must have a hardness level of max. HRC 37/345 Hb

Features and Benefits:

- Pivot and cam are made of stainless steel
- Body and lock lever are nickel plated to prevent corrosion due to carbon contamination
- TSU-R / TSEU-R come with articulated lifting shackle for universal lifting flexibility at various angles
- TS-R / TSE-R come with standard lifting shackle
- Always equipped with a safety mechanism, ensuring the clamp does not slip when lifting force is applied and when load is being lowered
- Clamp is locked in closed as well as open position
- Lightweight design for easy handling
- Tough quality heavy duty welded shell body
- Maintenance-friendly, easy to exchange parts which are available upon request



Article Nr.	Type	Capacity (kg/pc)	Jaw opening (R) (mm)	Dimensions in mm							Weight (kg/pc)
				S	T	U	V	W	X	Y	
861075	0.75 TS-R	750	0 - 13	47	30	202	100	37	37	10	1,7
861100	1 TSE-R	1000	0 - 25	56	45	263	141	37	47	15	3,5
861200	2 TSE-R	2000	0 - 35	78	64	336	183	56	56	16	7
861300	3 TSE-R	3000	0 - 35	78	64	336	183	56	56	16	7
861450	4.5 TSE-R	4500	0 - 45	85	70	425	228	60	78	20	16
861600	6 TSE-R	6000	0 - 50	114	75	490	259	82	78	20	21
861750	7.5 TSE-R	7500	0 - 55	111	75	522	267	70	86	20	26
862075	0.75 TSU-R	750	0 - 13	47	30	203	100	37	37	10	1,8
862100	1 TSEU-R	1000	0 - 25	56	50	292	141	37	47	15	3,8
862101	2 TSU-R	2000	0 - 20	78	70	370	165	54	56	16	7
862200	2 TSEU-R	2000	0 - 35	78	70	372	183	56	56	16	8
862300	3 TSEU-R	3000	0 - 35	78	70	372	183	56	56	16	8
862450	4,5 TSEU-R	4500	0 - 45	85	70	431	228	60	78	20	16,5
862600	6 TSEU-R	6000	0 - 50	114	78	527	259	82	78	32	24
862750	7.5 TSEU-R	7500	0 - 55	111	78	560	267	70	86	32	28