



TSMP / TSEMP / STSMP

Three way articulated linkage arrangement for flexible lifting and extended reach

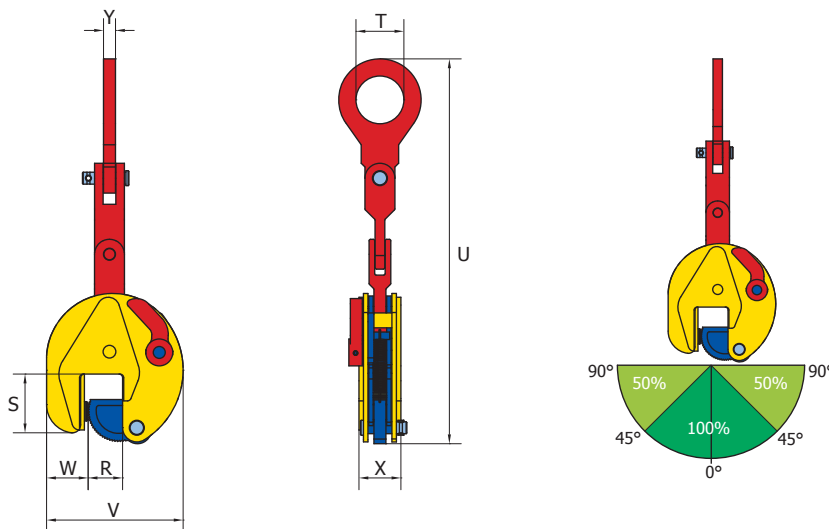
Application:

- For vertical lifting, transporting and turning of all steel plates and structures
- Jaw openings available from: 0 to 100 mm
- TSEMP / STSMP types are supplied with enlarged jaw opening
- Working load limit (WLL) 750 - 9000 kg (Higher WLL available upon request)
- Min. WLL is 10% of max. WLL

Note: The plate surface of the material must have a hardness level of max. HRC 37/345 Hb

Features and Benefits:

- With three way articulated linkage arrangement lifting shackle
- Enjoy all the benefits of the TS clamps with extra reach and lifting flexibility
- When attached to a fixed load bearing arm (e.g. spreader bar) the clamp will retain its flexibility and no chain is needed
- Due to length of the three way linkage arrangement the clamp can be lowered further between standing plates or structures
- Always equipped with a safety mechanism, ensuring the clamp does not slip when lifting force is applied and when load is being lowered
- Clamp is locked in closed as well as open position
- Lightweight design for easy handling
- Tough quality heavy duty welded shell body
- Maintenance-friendly, easy to exchange parts which are available upon request



Article Nr.	Type	Capacity (kg/pc)	Jaw opening (R) (mm)	Dimensions in mm							Weight (kg/pc)
				S	T	U	V	W	X	Y	
850010	0.75 TSMP	750	0 - 13	47	30	307	100	37	37	10	2
850818	1 TSEMP	1000	0 - 25	56	45	403	141	37	47	15	4,5
850911	2 TSEMP*	2000	0 - 35	78	64	516	183	56	56	16	8
850221	3 TSEMP*	3000	0 - 35	78	64	516	183	56	56	16	8
851401	4.5 TSEMP	4500	0 - 45	85	70	650	228	60	78	20	19
850311	6 TSMP	6000	0 - 32	114	75	760	225	78	78	20	24
851511	6 TSEMP	6000	0 - 50	114	75	760	259	82	78	20	25,5
850411	7.5 TSMP	7500	0 - 40	111	75	800	246	76	82	20	29
851510	7.5 TSEMP	7500	0 - 55	111	75	792	267	70	86	20	30,5
851515	9 TSMP	9000	0 - 55	111	75	792	267	70	86	20	31
852210	6 STSMP	6000	40 - 90	114	75	756	275	70	78	20	26
854310	7.5 STSMP	7500	50 - 100	111	75	695	312	70	86	20	31,5
853315	9 STSMP	9000	50 - 100	111	75	792	312	70	86	20	32,5

* Available with a remote control