



## TS / TSE / STS

### Heavy duty lightweight vertical lifting clamp

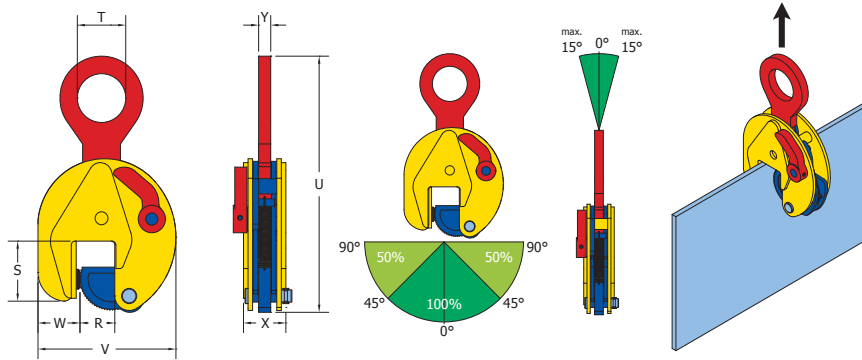
#### Application:

- For vertical lifting, transporting and turning of all steel plates and structures
- Jaw openings available from: 0 to 150 mm
- TSE/STS types are supplied with enlarged jaw-opening
- Working load limit (WLL) 750 - 30000 kg (Higher WLL available upon request)
- Min. WLL is 10% of max. WLL

**Note:** The plate surface of the material must have a hardness level of max. HRC 37/345 Hb

#### Features and Benefits:

- Lightweight design for easy handling
- Tough quality heavy duty welded shell body
- Always equipped with a safety mechanism, ensuring the clamp does not slip when lifting force is applied and when load is being lowered
- Clamp is locked in closed as well as open position
- Maintenance-friendly, easy to exchange parts which are available upon request



Article Nr.	Type	Capacity (kg/pc)	Jaw opening (R) (mm)	Dimensions in mm							Weight (kg/pc)
				S	T	U	V	W	X	Y	
850000	0.75 TS	750	0 - 13	47	30	202	100	37	37	10	1,7
850880	1 TSE	1000	0 - 25	56	45	263	141	37	47	15	3,5
850901	2 TSE *	2000	0 - 35	78	64	336	183	56	56	16	7
850331	3 TSE *	3000	0 - 35	78	64	336	183	56	56	16	7
850441	4.5 TS	4500	0 - 25	85	70	423	203	60	77	20	15
850451	4.5 TSE	4500	0 - 45	85	70	425	228	60	78	20	16
850301	6 TS	6000	0 - 32	114	75	490	225	78	78	20	19
851411	6 TSE	6000	0 - 50	114	75	490	259	82	78	20	21
850401	7.5 TS	7500	0 - 40	111	75	530	246	76	82	20	24
851501	7.5 TSE	7500	0 - 55	111	75	522	267	70	86	20	26
851551	9 TS	9000	0 - 55	111	75	522	267	70	86	20	27
850501	12 TS	12000	0 - 52	148	85	617	295	100	94	44	37
915000	15 TS	15000	0 - 76	209	86	810	373	136	106	49	70
917000	17 TS	17000	0 - 76	209	86	810	373	136	106	49	71
920000	20 TS	20000	0 - 80	250	100	933	563	153	140	66	149
925000	25 TS	25000	5 - 85	250	100	925	563	148	140	66	149
930000	30 TS	30000	10 - 90	250	100	918	568	153	142	66	155,5
852200	6 STS	6000	40 - 90	114	75	486	275	70	78	20	21
854300	7.5 STS	7500	50 - 100	111	75	524	312	70	86	20	26,5
853305	9 STS	9000	50 - 100	111	75	522	312	70	86	20	27,5
852401	12 STS	12000	50 - 100	152	85	615	344	100	94	44	41
921500	15 STS	15000	80 - 150	224	86	800	450	136	106	49	76
922000	20 STS	20000	80 - 150	249	100	924	640	153	140	66	160
922500	25 STS	25000	80 - 150	249	100	924	640	153	140	66	160
923000	30 STS	30000	80 - 150	249	100	906	645	156	142	66	165,5

\* Available with a remote control