



TBC / TBC-A

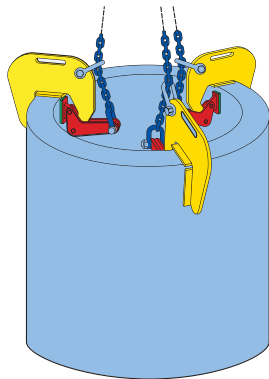
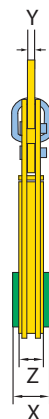
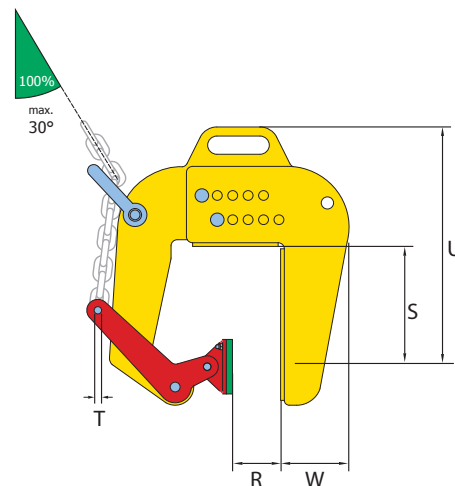
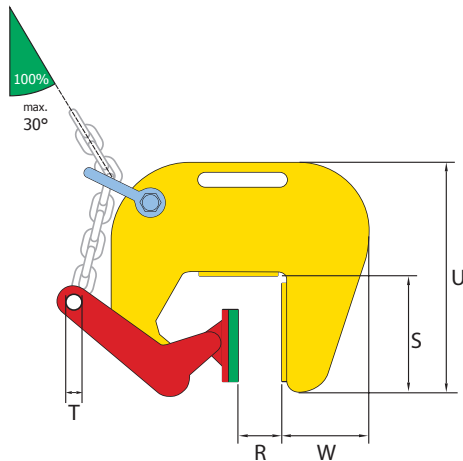
Lightweight clamp with pressure resistant plastic cam for vertical concrete pipe lifting

Application:

- For vertical lifting and transporting of concrete pipes and wells
- Terrier TBC / TBC-A lifting clamps must always be used in pairs (or per three clamps)
- TBC jaw opening available from: 60 to 120 mm
- TBC-A has an extra large jaw opening available from: 50 to 220 mm (adjustable in steps of 25 mm)
- Working load limit (WLL) 1000 kg
- Other jaw openings available upon request

Features and Benefits:

- The cam is covered with a special high quality pressure resistant plastic
- Maintenance-friendly clamp, plastic pressure resistant cover is easy to change
- Tough quality welded body
- Lightweight design for easy handling



Article Nr.	Type	Capacity (kg/pc)	Jaw opening (R) (mm)	Dimensions in mm							Weight (kg/pc)
				U	S	W	T	X	Z	Y	
870101	1 TBC	1000	60 -120	326	169	97	12	60	40	12	10
870105	1 TBC-A	1000	50 -220	459	262	106	12	60	40	12	15