



TVKH

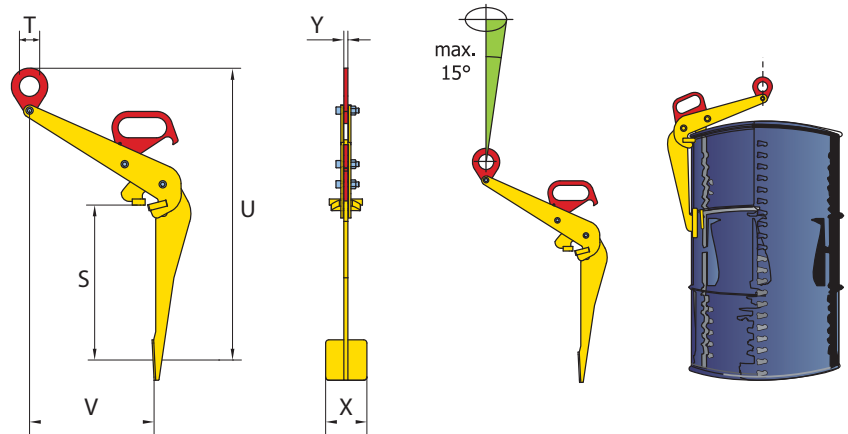
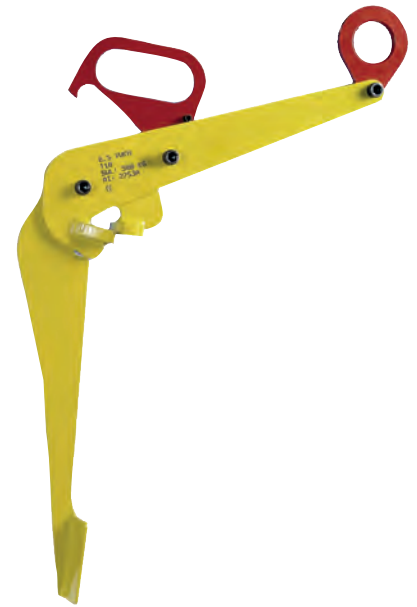
Special lightweight heavy duty clamp for upright drum lifting

Application:

- Designed for lifting, handling and transporting of (oil) drums, where the drums have to stay in a upright position
- Single clamp application on empty or filled drums
- During lifting and transportation the centre of gravity of the drum is always below the lifting point
- Jaw openings available from: 0 to 25 mm
- Working load limit (WLL) 600 kg

Features and Benefits:

- Lightweight design for easy handling in tight spaces between other drums
- Tough quality heavy duty welded shell body
- Equipped with a manual safety lock mechanism so that the clamp is locked in the open position
- Maintenance-friendly, easy to exchange parts which are available upon request



Article Nr.	Type	Capacity (kg/pc)	Jaw opening (R) (mm)	Dimensions in mm						Weight (kg/pc)
				U	S	V	T	X	Y	
828100	TVKH	600	0 - 25	765	434	305	50	100	10	7