



TVK

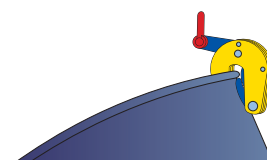
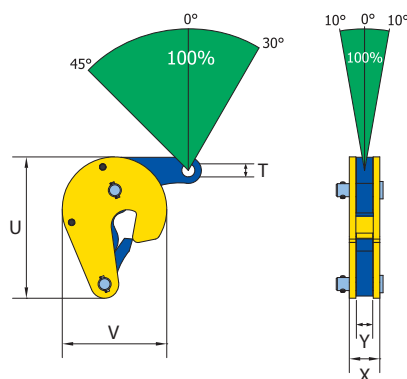
Special lightweight heavy duty clamp for drum lifting

Application:

- Designed for safe lifting, handling and transporting of steel (oil) drums
- Single clamp application on empty or filled sealed drums
- Filled open drums should be lifted by use of two clamps with a two leg chain sling
- Jaw opening available from: 0 to 17 mm
- Working load limit (WLL) 500 kg

Features and Benefits:

- With automatic locking mechanism
- Lightweight design for easy handling
- Tough quality heavy duty welded shell body
- Maintenance-friendly, easy to exchange parts which are available upon request



Article Nr.	Type	Capacity (kg/pc)	Jaw opening (R) (mm)	Dimensions in mm					Weight (kg/pc)
				U	V	T	X	Y	
828000	TVK	500	0 - 17	121	96	12	28	15	1,3